



17562.0453.0 REV1

Spare parts list series FEDERICA COND

Edition 03/2017



F E D E R I C A
BUGATTI

Spare parts list

1 REPLACEMENT PARTS CATALOGUE

This catalogue includes all the replacement parts required for the maintenance and service of boilers. This edition of the catalogue supersedes all previous editions.

2 MODELS AND SPECIFICATIONS

Boilers differ in basic characteristics:

2.1 Maximum useful heating power during operation as a building heat source

The models are available with a maximum useful heating power when used as a building heat source. Each of these models is identified by its own model number:

Model 25 (25kW), 35 (34kW)

2.2 Mixed-type operation/operation as a building heat source only

Mixed-type boilers are used to heat water for use in a building heating system, and can also heat hot water for domestic use. This type of boiler alternates between the two operating modes, with the "domestic hot water" function taking precedence over the "building heat source" function. The models combined with to external storage tanks are identified by the letter "B".

3 MODEL IDENTIFICATION CODE/SERIAL NUMBER

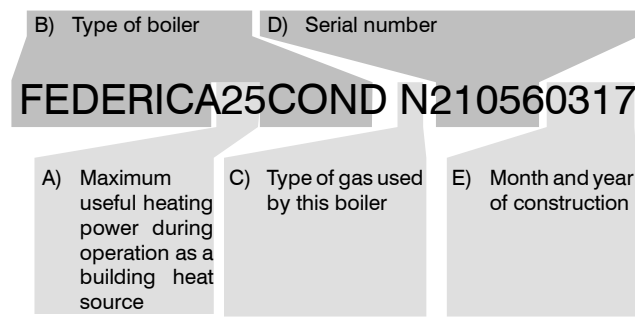
Every boiler produced by carries its own model identification code/serial number.

It is important for the service centre to mention this number when contacting the factory (the number must be listed on guarantee claims and service reports; when making requests for technical information, etc.).

The following is a breakdown of the model identification code/serial number and its meaning (reading from left to right):

- A) The maximum useful heating power during operation as a building heat source.
- B) The type of boiler according to its functions
- C) The type of gas used by this boiler. The letter "N" is used for Natural gas; the letter "G" is used for liquefied petroleum gas (LPG).
- D) The first five numbers are the actual serial number.
- E) The last four numbers indicate the month (first two numbers) and the year of construction.

These numbers are used in this catalogue to distinguish between versions of the same model with different modifications.



4 REPLACEMENT PARTS CODE

Each currently available replacement part is uniquely identified by its own replacement parts code. The replacement parts code consists of a table code and a position code.

4.1 Table code

The table code is a sequence of letters and numbers which uniquely and clearly identify each table. The table code can be found on the upper right of each table (see 4.3).

A validity chart for the table is located at the bottom of the table. This chart lists the models covered by the table.

	FEDERICA25 COND	
	FEDERICA35 COND	
	FEDERICA25B COND	
	FEDERICA35B COND	

4.2 Position Code

The position code is a number which is used to identify a particular object on the table.

To make identification easier, position codes for kits have a different format from position codes for individual parts.

515	Position code for a kit (or assembly)	Position code for an individual part	125
-----	---------------------------------------	--------------------------------------	-----

A label can be found next to the position code. This label is used to provide additional information on the replacement part and makes identification of the part easier:

A – Type of gas

515 _{G20}	125 _{G20}	G20 = Natural gas
--------------------	--------------------	-------------------

515 _{G30-G31}	125 _{G30-G31}	G30 – G31 = Butane – Propane (LPG)
------------------------	------------------------	------------------------------------

B – Validity restrictions

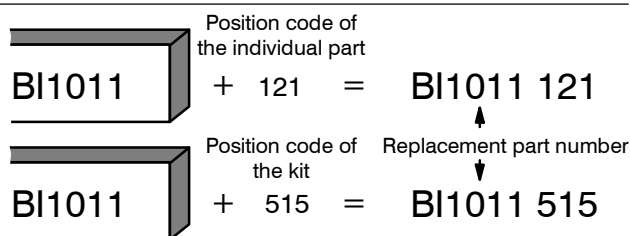
515 ₍₂₅₎	125 ₍₂₅₎	For model FEDERICA 25 COND, FEDERICA 25B COND
---------------------	---------------------	---

515 _(B)	125 _(B)	For model FEDERICA 25B COND, FEDERICA 35B COND
--------------------	--------------------	--

4.3 Composition of the replacement part code

Each replacement part code includes a table identification code and a position code. A position code is only listed for replacement parts which are currently available.

The replacement part code consists of the table code (which can be found on the upper right of the table) plus the position code (in two formats: individual part or kit).



The components of a kit are enclosed in a broken line. A kit may contain other complete kits, or portions of other kits.

In some tables, a replacement part may be identified with an arrow and a complete replacement part code (table code + position code). This means that the part is available, but must be ordered with the code listed. Also, any explanatory notes must be read before ordering.

=BI1011 515

=BI1011 515

(25)

=BI1011 516

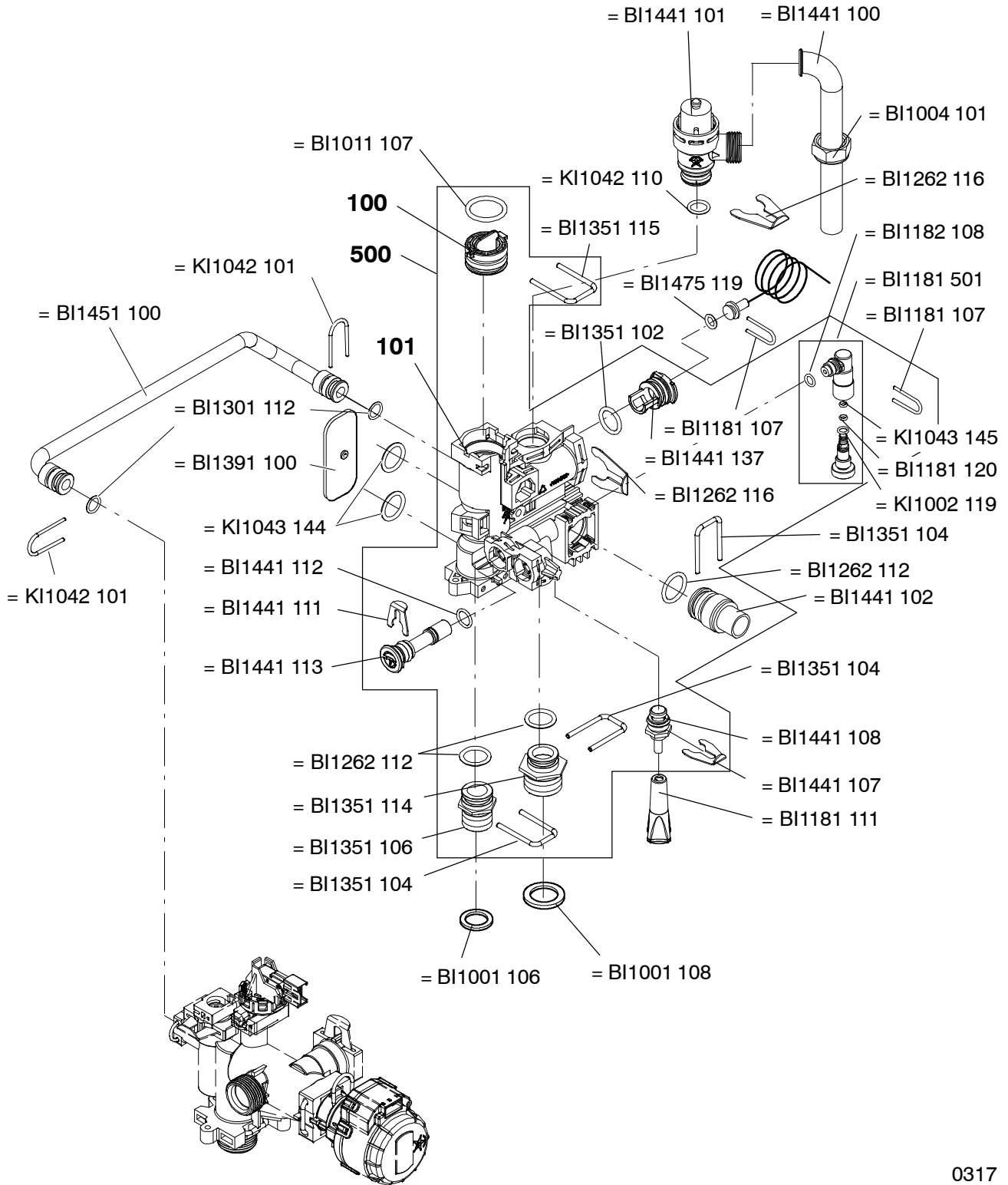
(B)

4.4 Using the replacement parts code

The replacement parts code must be included on all documents which are used in service reports, orders for replacement parts, guarantee claims, etc.

Spare parts list

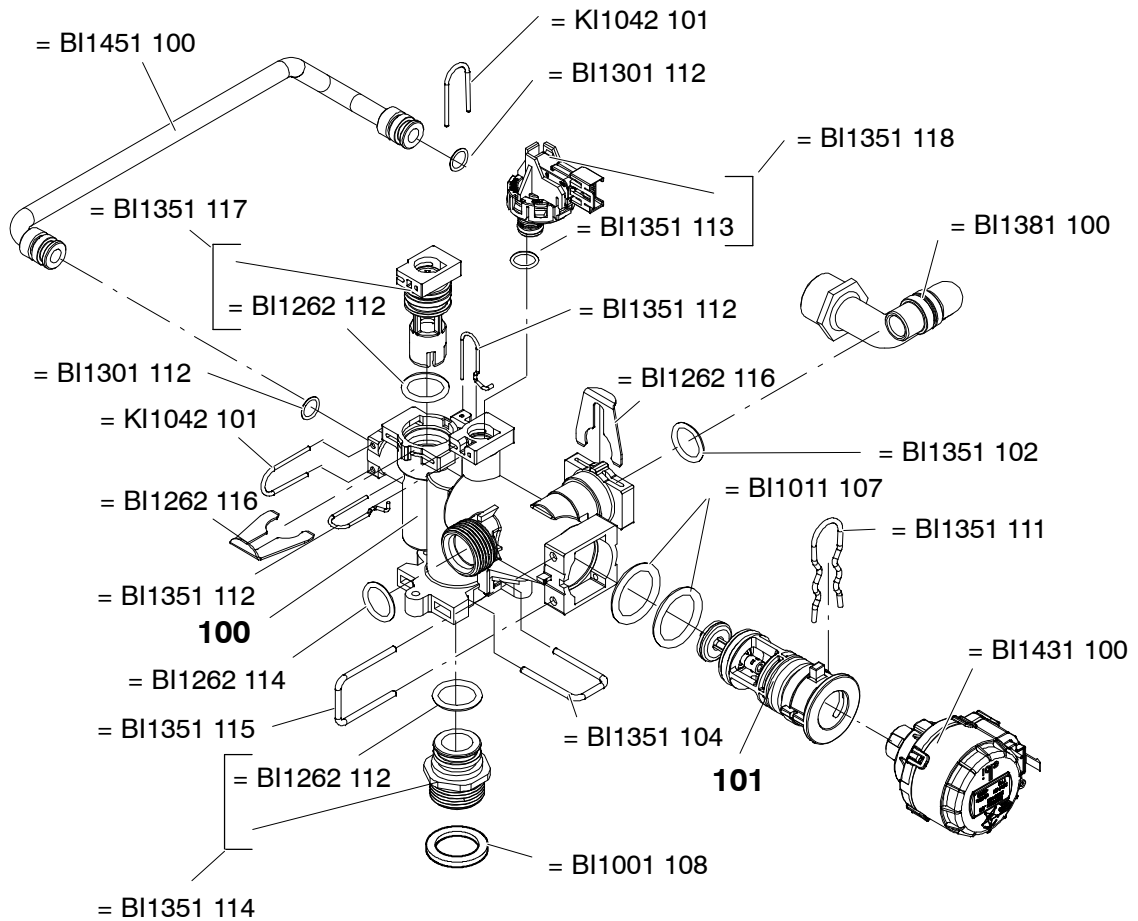
Table		Edition	N° of pages
BI1441 Part 1	Water group	0317	1
BI1461 Part 1	Water group	0317	1
BI1491 Part 1	Water group	0317	1
BI1501 Part 1	Water group	0317	1
BI1542 Part 2	Water group	0317	1
BI1503 Part 3	Gas group	0317	1
BI1955 Part 5	Driving panel and electric parts	0317	1
BI1965 Part 5	Driving panel and electric parts	0317	1
BI1526 Part 6	External panels, fire chamber	0317	1
BI1913 Part 1	Spares	0317	1



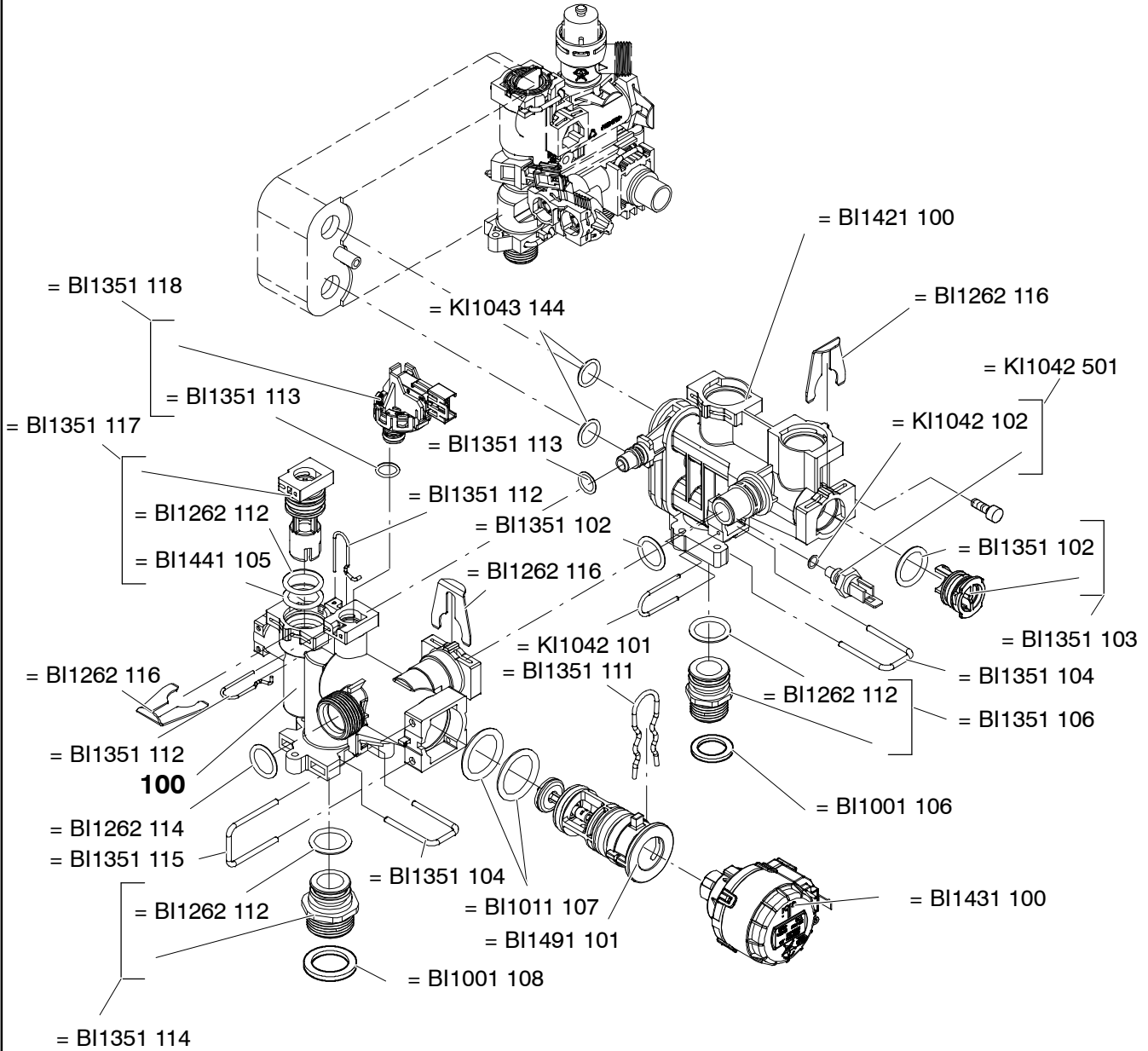
0317

FEDERICA25B COND
FEDERICA35B COND





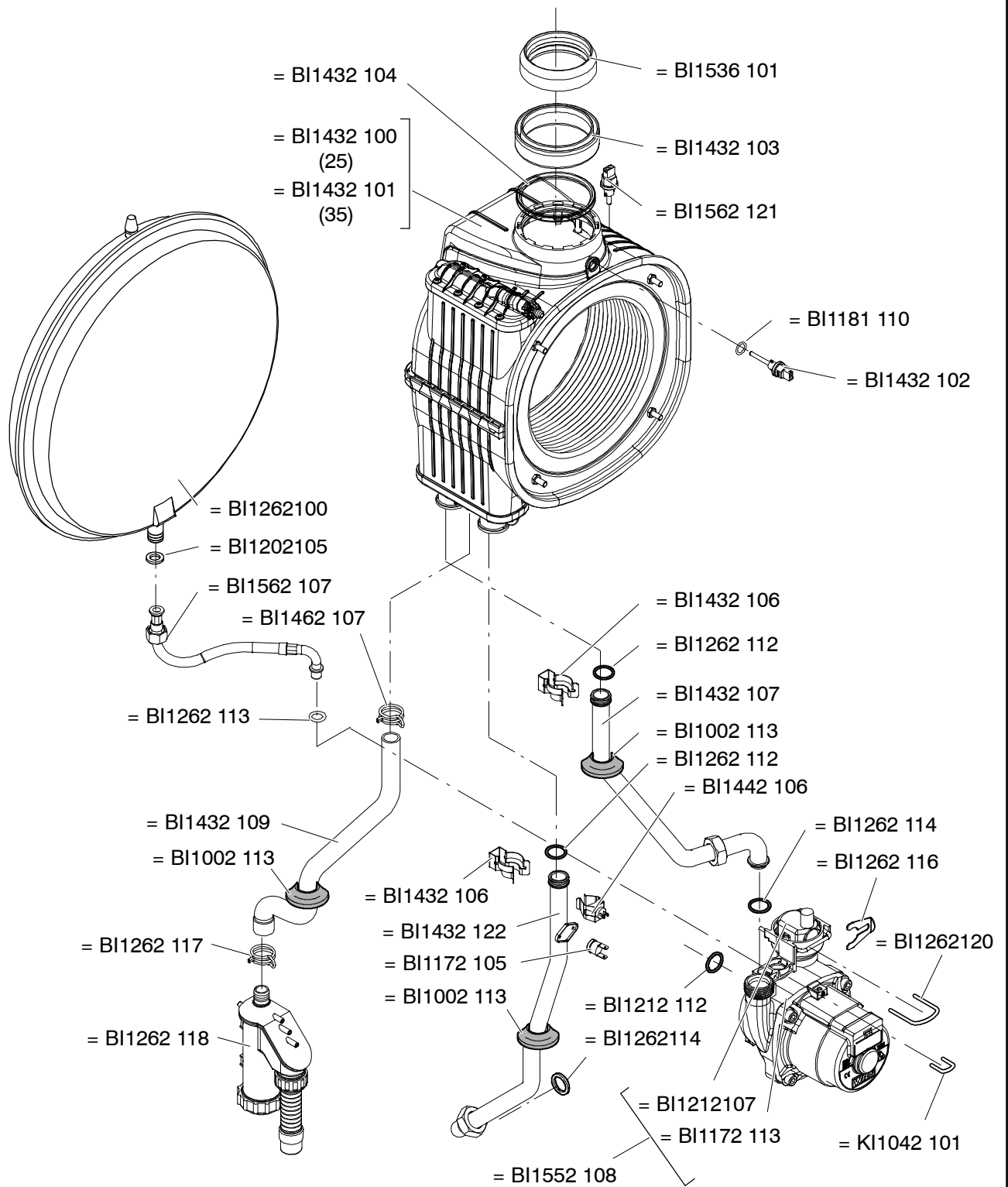
			FEDERICA25B COND	
			FEDERICA35B COND	



FEDERICA25 COND

FEDERICA35 COND

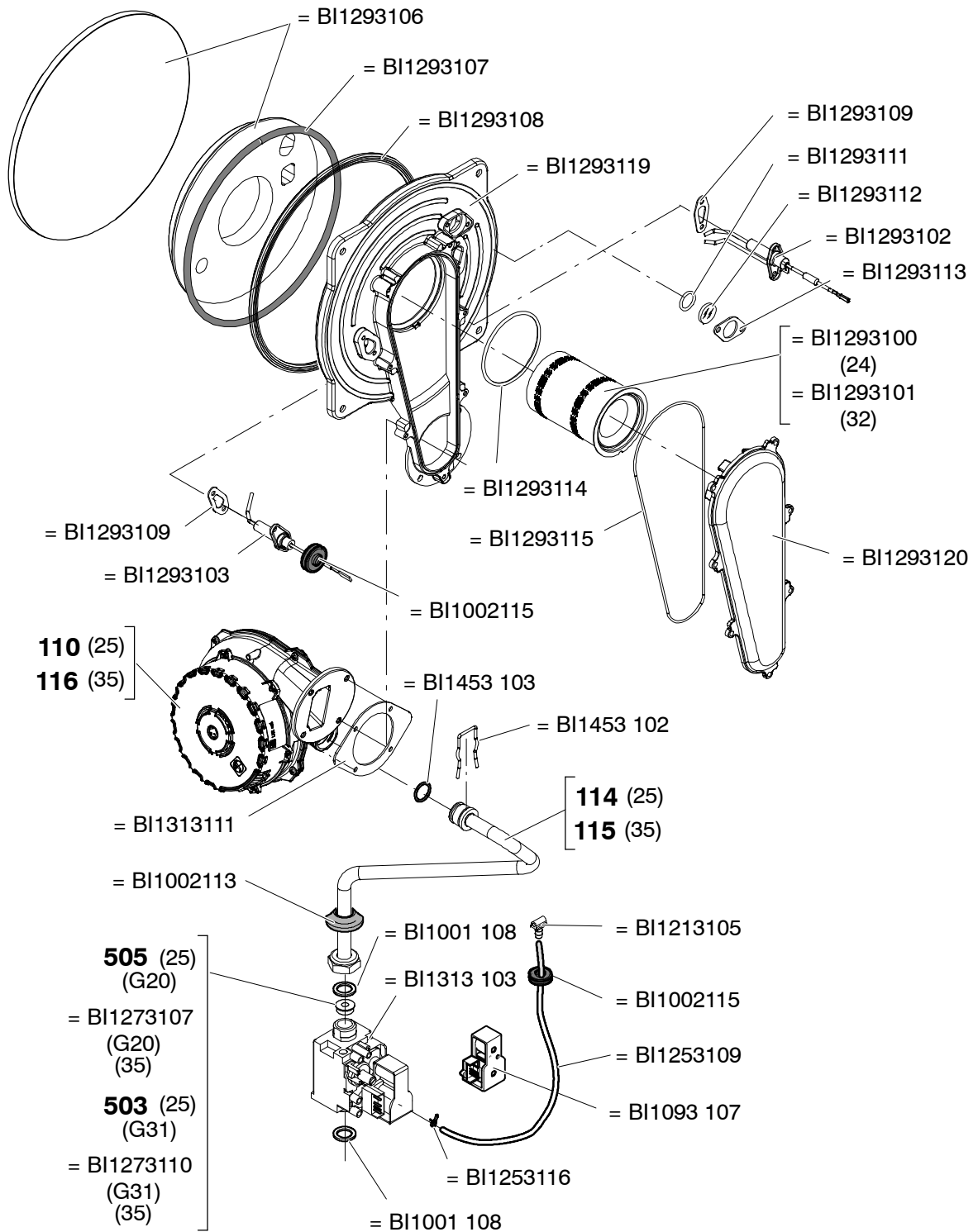




0317

			FEDERICA25 COND
			FEDERICA35 COND
			FEDERICA25B COND
			FEDERICA35B COND





0317

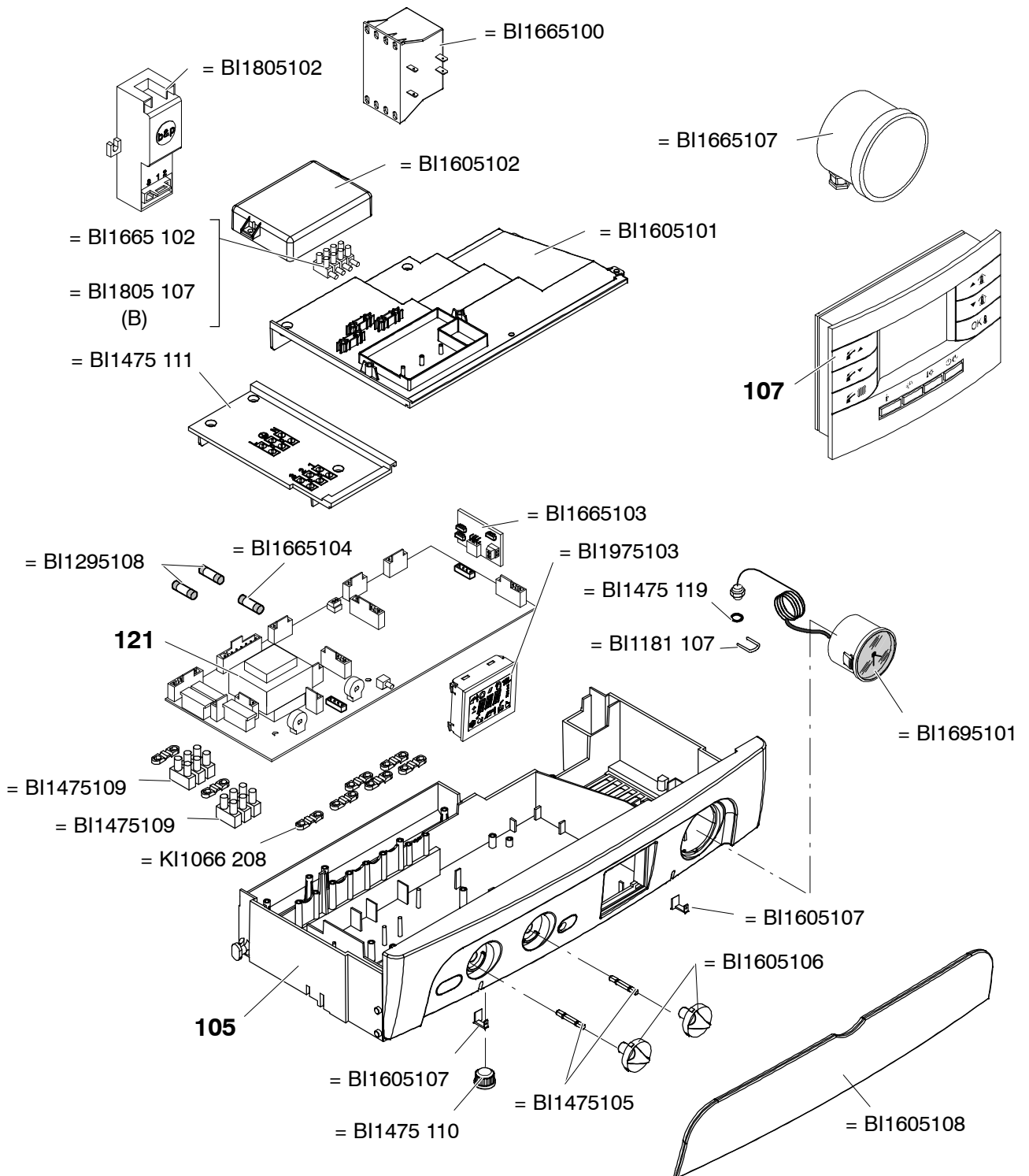
FEDERICA25 COND


FEDERICA35 COND

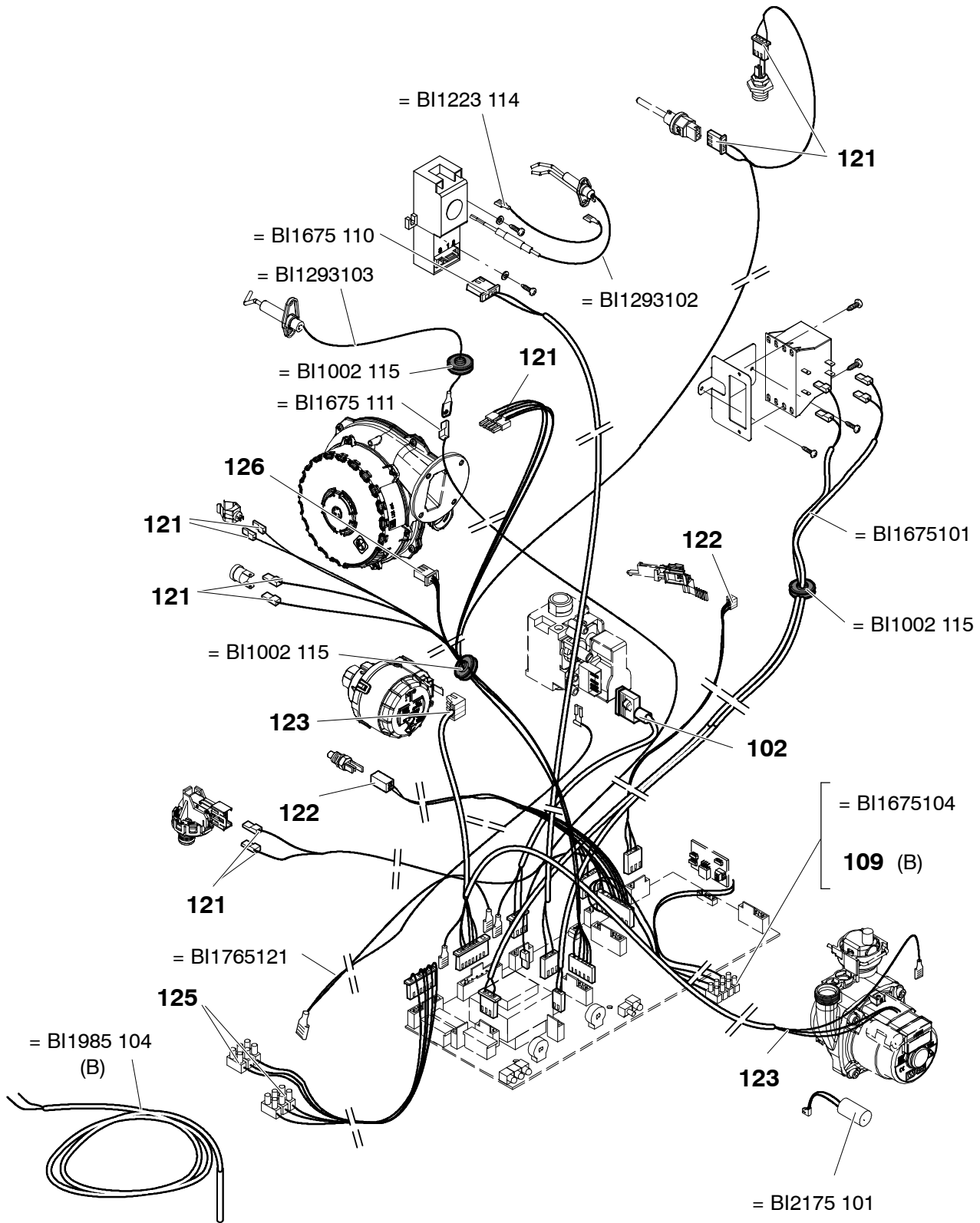
FEDERICA25B COND

FEDERICA35B COND





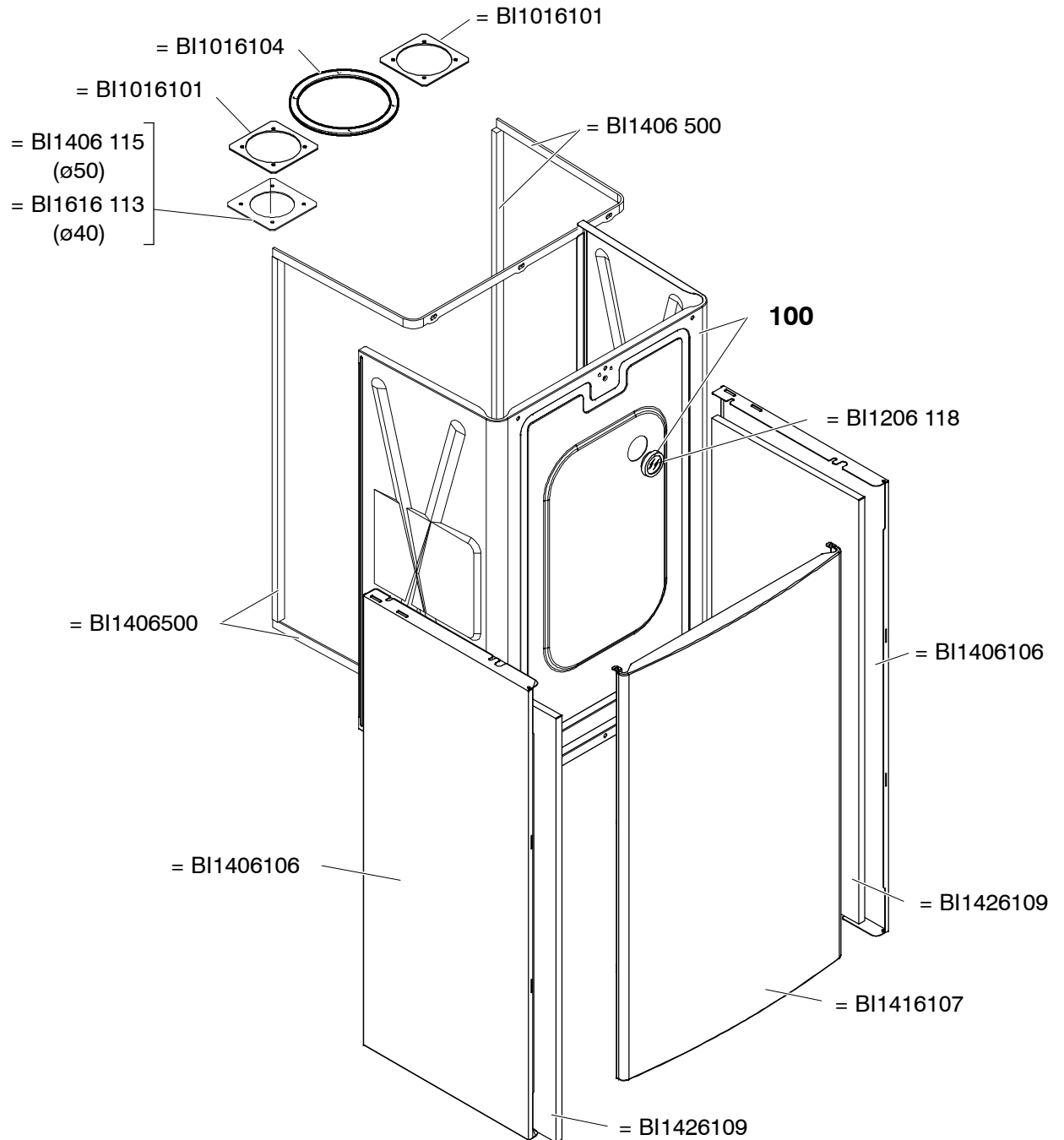
			FEDERICA25 COND		
			FEDERICA35 COND		
			FEDERICA25B COND		
			FEDERICA35B COND		



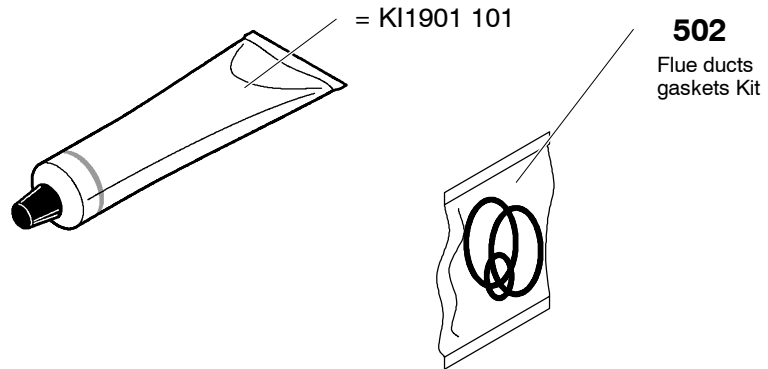
0317

	FEDERICA25 COND
	FEDERICA35 COND
	FEDERICA25B COND
	FEDERICA35B COND





			FEDERICA25 COND	
			FEDERICA35 COND	
			FEDERICA25B COND	
			FEDERICA35B COND	



BI1911 800 O-ring packing set			
<i>Part</i>	<i>Pos.</i>	<i>N.</i>	<i>T. Size</i>
BI1001	115	10	12,42 x 1,78
KI1043	144	10	18,64 x 3,53
BI1001	503	10	
KI1043	114	10	17,04x3,53
KI1001	105	10	17,13x2,62
BI1475	119	10	7x2
BI1212	112	10	17,04x4,00

BI1901 802 Flat packing set			
<i>Part</i>	<i>Pos.</i>	<i>N.</i>	<i>T. Size</i>
BI1001	107	10	P 1/4"
BI1001	109	10	P 3/8"
BI1202	105	10	P 3/8"
BI1001	106	10	P 1/2"
BI1001	108	10	P 3/4"
BI1001	105	10	P 1"

0317

FEDERICA25 COND

FEDERICA35 COND

FEDERICA25B COND

FEDERICA35B COND

